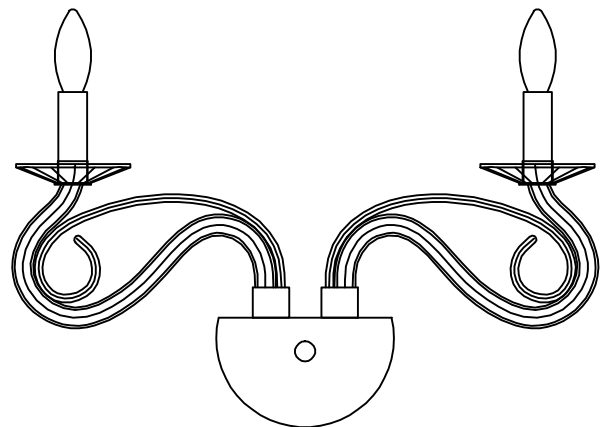
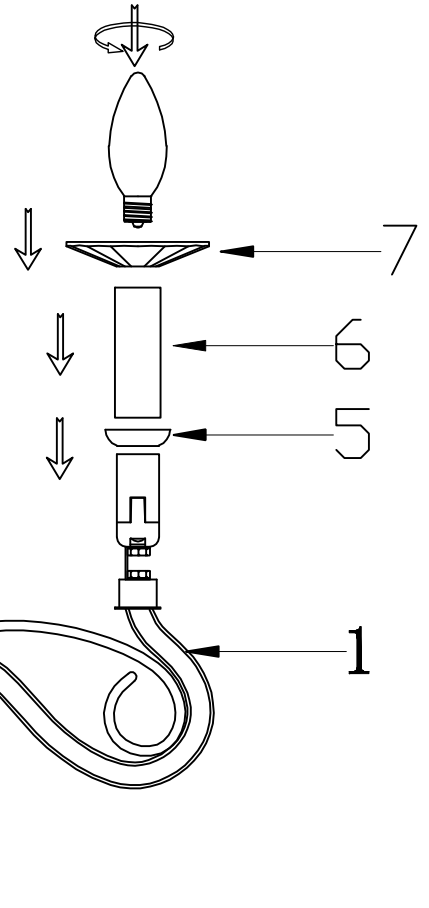
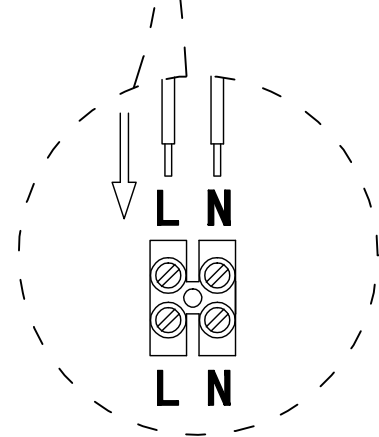
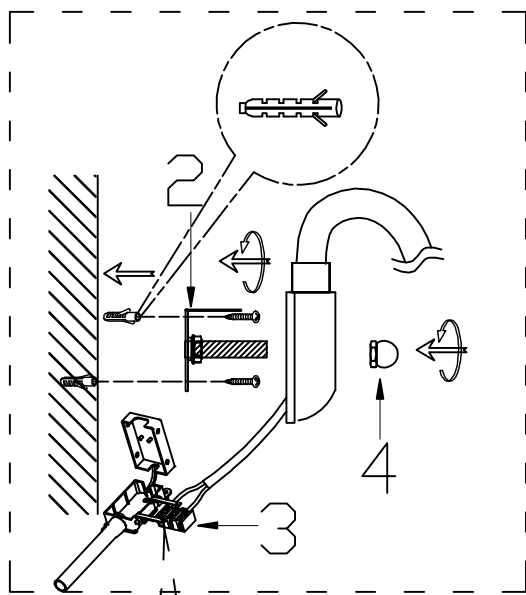
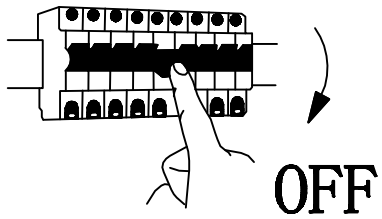


# INSTRUCTION SHEET

A

B

39132



C

