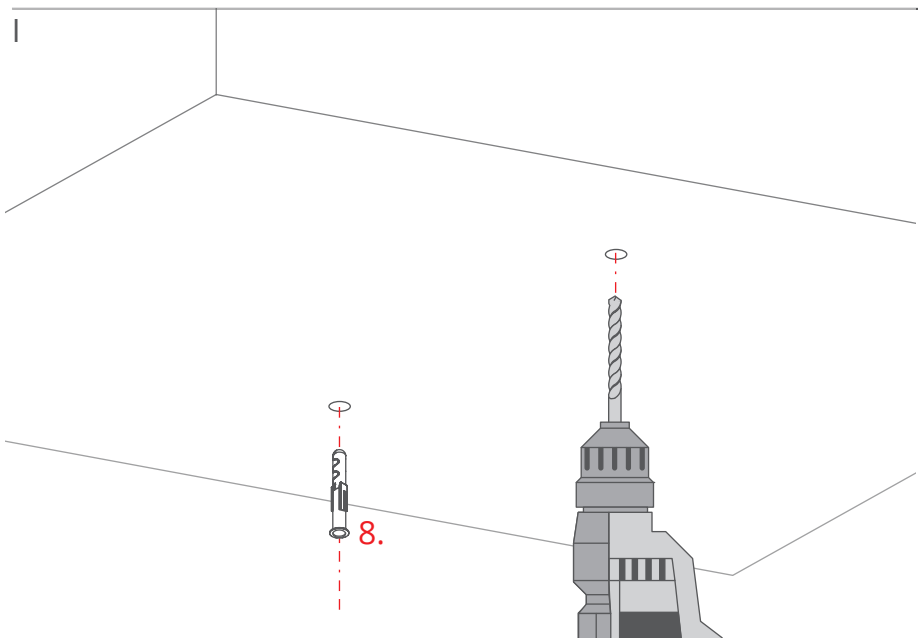
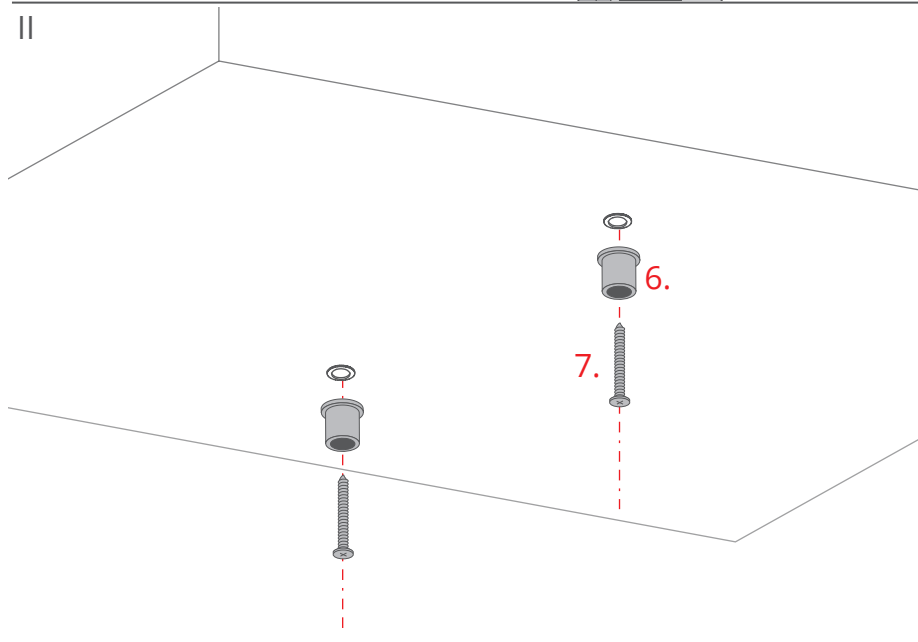
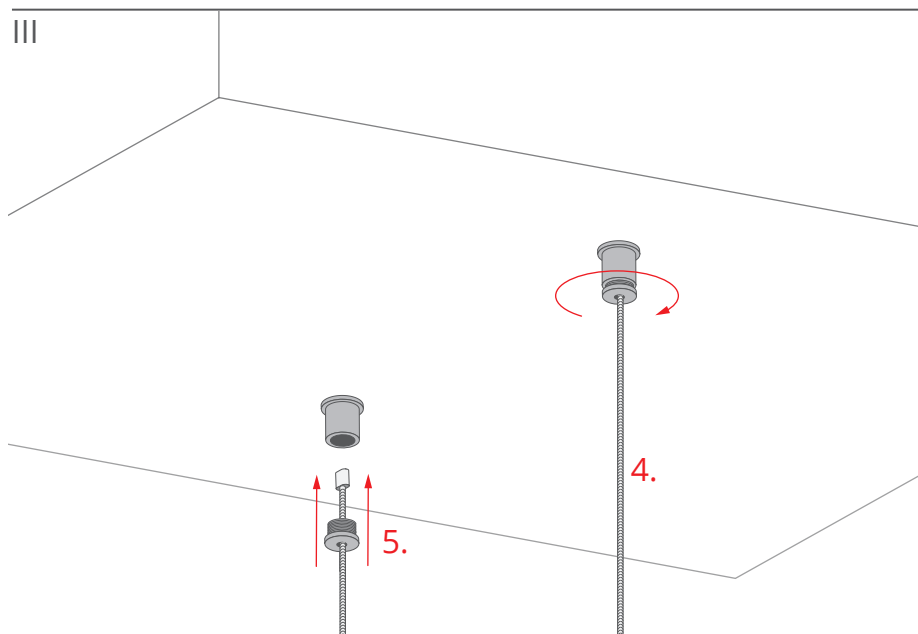


- 1. Lighting fixture with a small lock
 - 2. Bottom hook
 - 3. Wire sliding block
 - 4. Wire with clip
 - 5. Nut
 - 6. Ceiling bracket
 - 7. Screw*
 - 8. Wall anchor*
- } RD-1 set silver (ref. 42649NI), black (ref. 42649L9005)

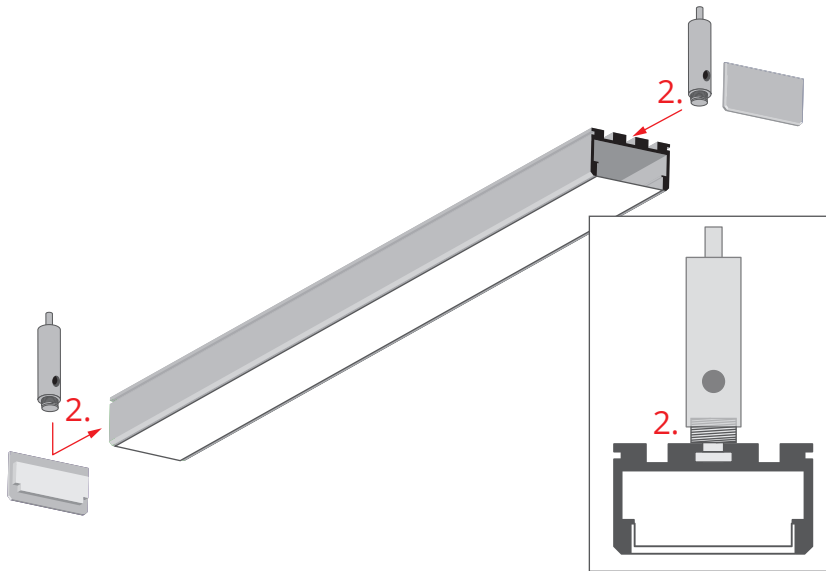
*Screws and wall anchors are not included in the RD-1 set. Commonly available screws for a given type of surface should be used (wall, drywall, wood, sheet metal, etc.).

NOTE! All LED tapes must be connected to a 12 V or 24 V power supply.

IMPORTANT: Not all possible mounting procedures are presented here. More mounting procedures and related accessories can be found at www.KlusDesign.eu. Drawings of extrusions and accessories in these instructions are simplified and only approximate the actual shapes.

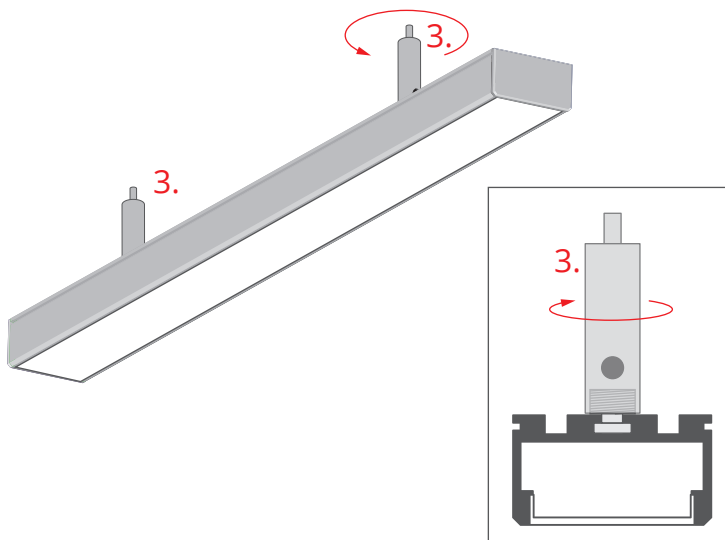
<p>I</p> 	<p>Prepare holes in the ceiling using appropriate wall anchors (8).</p>
<p>II</p> 	<p>Mount the ceiling brackets (6) with appropriate screws (7).</p>
<p>III</p> 	<p>Run the wires with clips (4) through the nuts (5) and tighten them in the ceiling brackets.</p>

IV



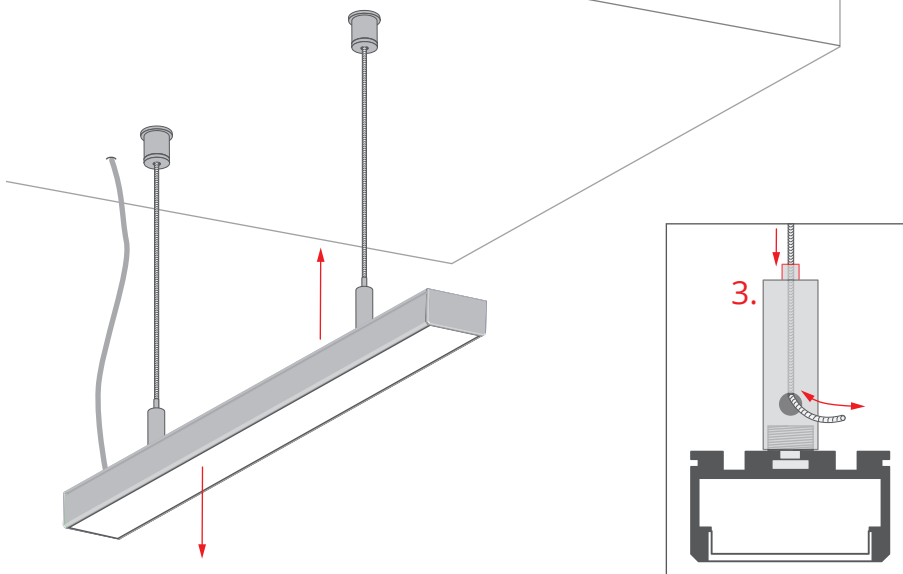
Fix the hooks (2) in the small channels.

V



Screw the wire blocks (3) onto the hooks.

VI



Suspend the lighting fixture and adjust the length of the wires with the blocks (3).