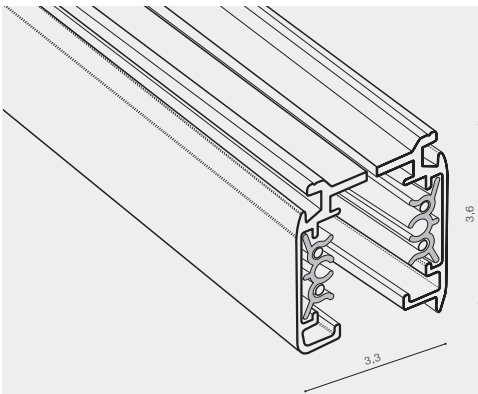


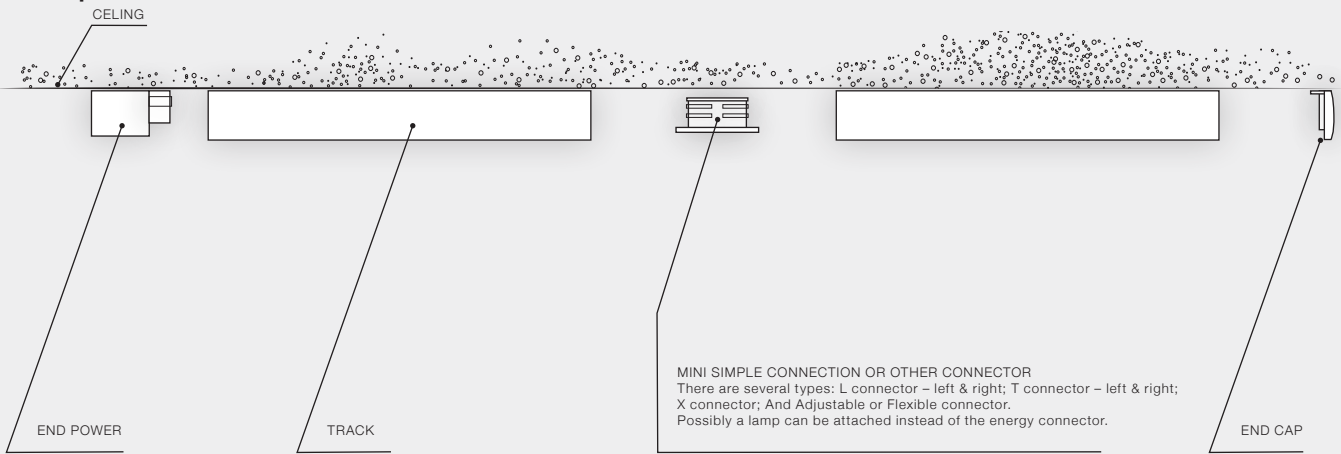
TRACK 3-LINE

Accessories for Track 3 Line

3-Li



Example of the connection between track



TRACKS (1m, 1,5m, 2m, 3m)

- TRACK 1m (BLACK) **AZ2973**
- TRACK 1m (WHITE) **AZ2974**
- TRACK 1,5m (BLACK) **AZ3000**
- TRACK 1,5m (WHITE) **AZ2999**
- TRACK 2m (BLACK) **AZ2975**
- TRACK 2m (WHITE) **AZ2976**
- TRACK 3m (BLACK) **AZ4272**
- TRACK 3m (WHITE) **AZ4271**



Track Set (1m, 1,5m, 2m)

with THE END POWER + END CAP (All included)

- TRACK SET 1m (BLACK) **AZ2987**
- TRACK SET 1m (WHITE) **AZ2991**
- TRACK SET 1,5m (BLACK) **AZ3001**
- TRACK SET 1,5m (WHITE) **AZ3002**
- TRACK SET 2m (BLACK) **AZ2992**
- TRACK SET 2m (WHITE) **AZ2988**



* - EXPLANATION SHORTCUT PAGE 2 (E)